

Educational Gas Permeameter



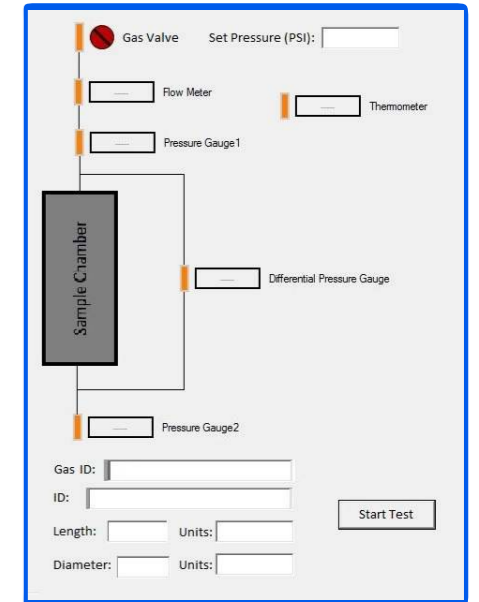
Educational Gas Permeameter

PMI Educational Gas Permeameter, Model EGP-100A measures sample permeability to gas (Air, Nitrogen or Helium) by the steady state technique. The instrument is designed to simply illustrate the basic knowledge and principles the student should have and build on for increased understanding. The sample setup is effortless and designed to work with a variety of samples. The software will fully control the instrument while running a test and in manual control. The data is automatically recorded and the reporting program will display the results for the test as well as export the results into Excel. The machine is robust and requires minimal maintenance for extended periods of time. The finest technology has been used in the production of this machine to provide the most accurate results.

This system is composed of a core holder, pressure sensors, accurate flow meters, a pressure reducer, Upstream Pressure Control Valve and an automatic pump for confining pressure. A computer latest configuration with Data acquisition system which makes full automation of the instrument.

Procedure

The PMI Educational Gas Permeameter can be used as in Auto or Manual mode. In manual mode every component can be controlled manually but at the same time no improper action is allowed. The user will load the sample into the chamber with appropriate spacers and sleeves, and the chamber is closed. The PMI software can also be used to setup a test and record the data over time. The data is exported into Microsoft Excel with the Darcy value calculated for the sample.



Manual Control screen



SPECIFICATIONS

- Permeability Range: 1×10^{-3} to 50 Darcy
- Core Dia Length: Up to 3"
- Core Dia: 1" & 1.5"
- Flow pressure: 0 to 200 psi
- Confining Pressure: 0 to 10,000 psi
- Confining pressure System: Manual Pump
- Pressurizing Gas: Clean, dry, compressed air or non-flammable, non-corrosive gas
- Pressure Transducer Accuracy: 0.1% at full scale
- Mass Flow Transducer Range: 10 cc/min – 10L/min
- Thermometer: $\pm 0.1^\circ\text{C}$
- Wetted Materials: Stainless steel, Viton, Teflon
- Power Requirements: 220 VAC

Reported Values:

- Darcy value

Test Type:

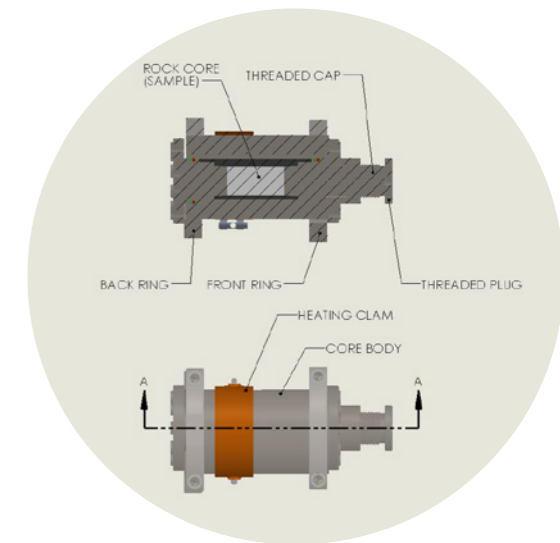
- Gas Permeability

FEATURES

- Values recorded and reported through PMI software
- Simple sample setup
- Core holder designed to remove operator error during loading process
- Designed to work with variety of samples.
- Software will fully control the instrument while running a test and can be manually controlled too

Hassler Coreholder:

Easy to use Hassler coreholder for testing 1" and 1.5" diameter cores, up to 3" long. The hassler coreholder mounted horizontally on the panel. The body is constructed of stainless steel and is capable of overburden/Confining pressure up to 10,000 psi.



Core holder cross section

SALES & SERVICE

We at Porous Materials Inc., have dedicated sales team helping thousand's of our customers identify the right solution for their scientific problems. We are also proud to offer customized instruments for your unique needs. Our service and applications team is committed to effective support with short response times, we offer comprehensive range of solutions from new and customized systems, calibration and maintenance to testing services. Explore more about us at www.pmiapp.com



Customize your Machine today!

The most advanced, accurate, easy to use
and reproducible Porosimeters in the world.



20 Dutch Mill Rd, Ithaca, NY 14850, USA

Toll Free (US & Canada): 1-800-TALK-PMI (1-800-825-5764)

Phone: 607-257-5544 Fax: 607-257-5639

Email: info@pmiapp.com

www.pmiapp.com

